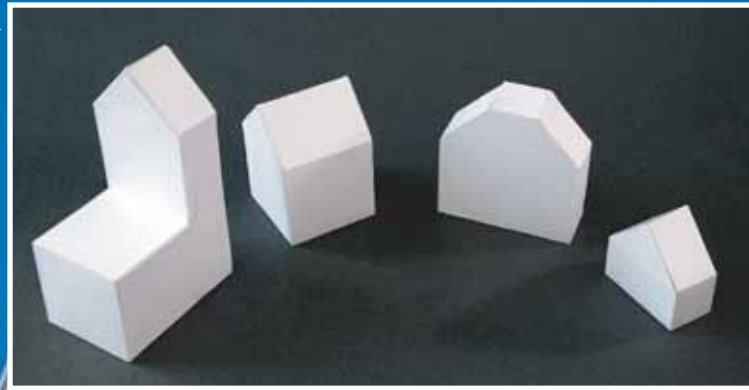
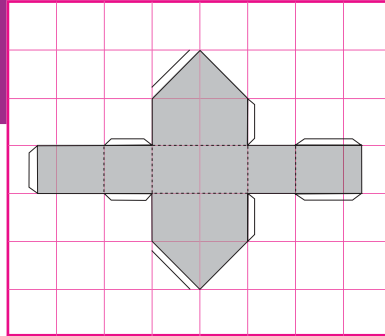


nets

Here is a simple model of a church and some houses.

Here is the **net** for one of the buildings:



Design **buildings** you might find in your village or town.

Keep your buildings simple to start with.

Draw a net of each your buildings

Think about the lengths of sloping roofs

building for the future